



Antaira Technologies

LNx-0500-M12-67 Series

5-Port M12 Industrial IP67 Waterproof Ethernet Switch, with 5*10/100Tx with M12 Connector

Quick Installation Guide

Version 1.0
(May 2018)



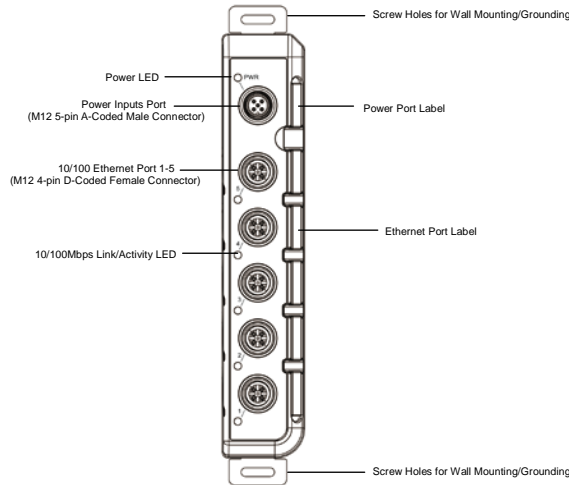
Tel: 1-844-268-2472
Fax: 1-714-671-9944
www.antaira.com

Package Check List

The package contains the following items:

- 1 – Quick installation guide
- 1 – LNx-0500-M12-67(-T)
- 1 – DIN-Rail kit with screws
- 6 – M12 protective caps
- 6 – Port labels

Front Panel Layout



Product Overview

System Interface/Performance

- All Ethernet ports support the auto MDI/MDI-X function
- M12 connector with IP67 rated protection
- Store-and-forward switching architecture

Power Input & Connection

- DC 12 to 48V redundant power
- It is recommended to use a UL listed industrial power supply

Operating Temperature

- Standard operating temperature model: -10°C to 70°C
- Extended operating temperature model: -40°C to 75°C

Case/Installation

- IP67 protection
- Wall Mount/DIN-Rail design

LED Indicators

LED	Color	Description	
PWR	Green	On	Power input 1 or 2 is active
		Off	Power input 1 and 2 are inactive
LAN Port 1-5 (LINK/ACT)	Green	On	Connected to network, 10/100Mbps
		Flashing	Networking is active
		Off	Not connected to network

Quick Installation

Ethernet Ports

M12 Ports (Auto MDI/MDI-X)

All M12 ports (4-Pin D-Coded Female Connector) are auto-sensing for 10Base-T or 100Base-TX device connections. Please follow the wiring pin assignment table below for Ethernet port installation.

M12 4-Pin D-Coded Female Connector		
Illustration	Pinouts	10/100Base-T(X) Signal
	1	Transmit Data + (TX+)
	2	Receive Data + (RX+)
	3	Transmit Data - (TX-)
	4	Receive Data - (RX-)

Power Input Wiring

- Input voltage: 12-48VDC
- Dual DC power inputs for power redundancy
- Connection format: M12 5-Pin A-Coded male connector
- Suggest using UL listed industrial power supply
- Pin assignment of M12 power connector:

M12 5-Pin A-Coded Male Power Connector			
Illustration	Pinouts	Function	Description
	1	V1+	Power Input 1 +
	2	V2+	Power Input 2 +
	3	V2-	Power Input 2 -
	4	V1-	Power Input 1 -
	5	⊥	Grounding

NOTE: Recommended use the wire gauge between 18-24AWG.

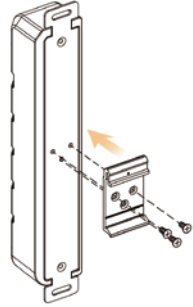
Industrial Switch Mounting

DIN-Rail Mounting

Follow the steps below to learn how to install the DIN-Rail on the industrial Ethernet switch and how to hang the switch.

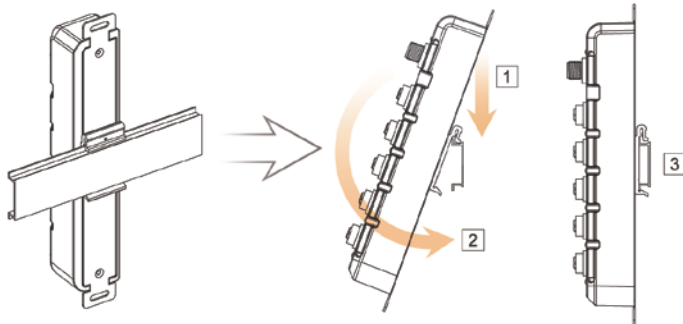
Step 1. Use the screws to install the DIN-Rail bracket on the rear side of the industrial Ethernet switch.

NOTE: To remove the DIN-Rail bracket, do the opposite from Step 1.



Step 2. After the DIN-Rail bracket is installed on the rear side of the switch, refer to below Figures to mount the switch.

- 1 Insert the top of the DIN-Rail on to the track.
- 2 Lightly pull down the bracket on to the rail.
- 3 Check to ensure the bracket is mounted tightly on the rail.



Step 3. To remove the industrial Ethernet switch from the rail, perform above steps in reverse.

Wall Mounting

Follow the steps below to mount the switch to a wall using the screw holes as shown below in Figure.

Step 1. Prepare 2 screws for mounting the switch to a wall. (Recommended use the M6 screws.)

Step 2. Based on the positions of 2 screw holes on the top and bottom side of

the switch to make 2 screw holes on a wall accordingly.

Step 3. Insert the screws through the screw holes on the switch and screw the switch into the wall.

Step 4. To remove the switch from the wall, do the opposite from the steps above.

NOTE: Make sure all cables from the switch are disconnected before removing the unit from the wall.

Field Maintenance and Service

- If the device requires servicing of any kind, the user is required to disconnect and remove it from its mounting. The initial installation should be done in a way that makes this as convenient as possible.
- Voltage/power lines should be properly insulated as well as other cables. Be careful when handling them so as to not trip over.
- Do not under any circumstance insert foreign objects of any kind into the heat dissipation holes located in the different faces of the device. This may not only harm the internal layout, but might cause harm to user as well.
- Do not under any circumstance open the device for any reason. Please contact your dealer for any repair needed or follow the instructions within the manual.



Warranty Policy

Warranty Conditions

Products supplied by Antaira Technologies are covered in this warranty for sub-standard performance or defective workmanship. The warranty is not, however, extended to goods damaged in the following circumstances:

- (a) Excessive forces or impacts
- (b) War or an Act of God: wind storm, fire, flood, electric shock, earthquake
- (c) Use of unqualified power supply, connectors, or unauthorized parts/kits
- (d) Replacement with unauthorized parts

RMA and Shipping Costs Reimbursement

Customers shall always obtain an authorized "RMA" number from Antaira before shipping the goods for repair or replacement.

- Within the warranty period (based on the invoice date), all parts and labor are free of charge to the customers.
- Customers are responsible for the cost of parts and labor, if the products are out of warranty.
- For RMA service, customers are responsible for the shipping expense for shipping the RMA unit(s) to Antaira. Antaira is responsible for the shipping expense via a ground service for the return repair/replace unit(s) back to customers.

Limited Liability

Antaira would not be held responsible for any consequential losses from using Antaira's product.

Warranty Period

5-Year Warranty

Antaira's Customer Service and Support

- Antaira's Technical Service & Support Centers:
 - + 844-268-2472 (Antaira US Headquarter)
 - + 48-22-862-88-81 (Antaira Europe Office)
 - + 886-2-2218-9733 (Antaira Asia Office)
- Antaira's Web Sites & Repair/Support Emails:
 - www.antaira.com / support@antaira.com
 - www.antaira.eu / info@antaira.eu
 - www.antaira.com.tw / info@antaira.com.tw

*Any changes will be announced on the Antaira website.